

Protect what matters most.

3" Butterfly WaterValve Specification Sheet

Part Number	Size (Inch)	Cycle Time off	*Cycle Time on	Pressure Rating	**Flow GPM
WVKB5-T	3	3 sec	~ 20 sec	150	720

*Assumes zero load on valve, actual time may vary

**GPM at 1 PSI drop, water

Valve Specifications:

- Connection: Lugged Flanged
- Valve body: Cast Iron
- Disk and Stem: 316 stainless steel
- Seat: EPDM
- Equipped with a manual handle for emergency override
- Valves are pressure rated at 70°F

Actuator Specifications:

- Waterproof actuator housing is rated NEMA 6P to protect internal components from corrosion and extend actuator life
- Ignition safe actuator housing is rated NEMA 7D and meets the USCG Electrical Systems Standard to support user and environment protection
- 12V DC motor
- Actuator AC/DC adapter power supply and 6' wiring harness supplied with Part # RS400-11



800.246.LEAK (5325)
info@pipeburstpro.com

©2019 GreenField Direct, LLC rev.1.02219



Protect what matters most.

3" Butterfly WaterValve Specification Sheet

Part Number	Size (Inch)	Cycle Time off	*Cycle Time on	Pressure Rating	**Flow GPM	A	B	C	D
WVKB5	3	3 sec	~ 20 sec	150	720	7.7"	5.2"	15.7"	1.8"

*Assumes zero load on valve, actual time may vary
 **GPM at 1 PSI drop, water

Valve Installation:

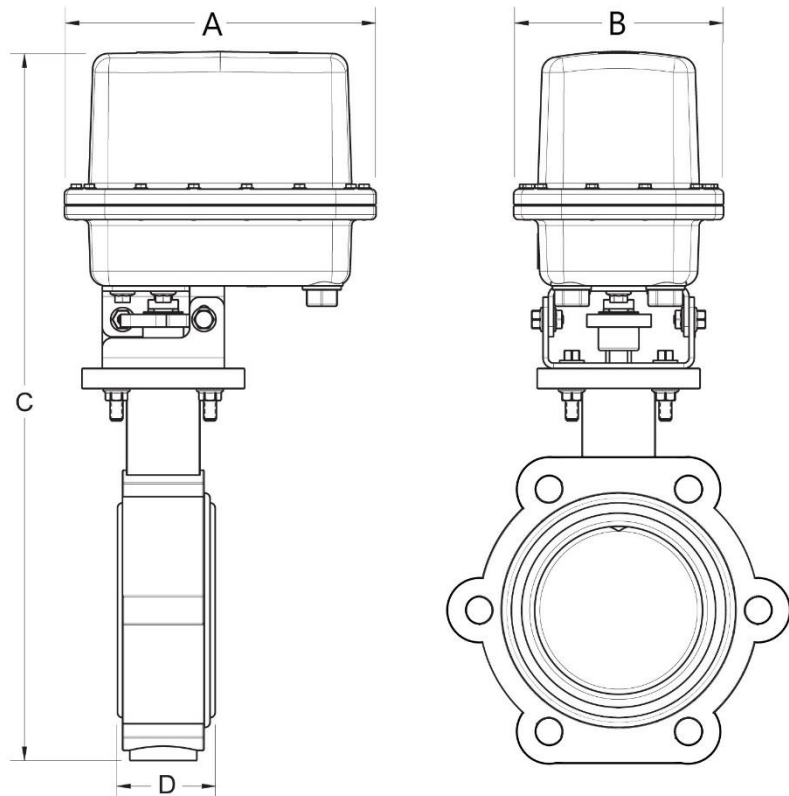
- Position valve between flanges
- Thread bolts into tapped holes from each side of the mounting flanges.

Flange Requirements:

- The valve O.D. and flange bolt circle must share a common center line
- The valve is designed to be placed between ASME/ANSI 125 lb. flanges

Lug Data:

Valve Size	Bolt Circle	Holes	Tap
3"	6.00"	4	.625-11



800.246.LEAK (5325)
 info@pipeburstpro.com

