

WaterValve Specification Sheet

Valve Specs:

- ANSI/NSF 61 Certified, meets the Uniform Plumbing Code, Low-Lead certified, and approved for drinking water applications in all 50 states
- ¾" Valve body material is lead free brass
- 1" + Valve body: CF8M stainless steel
- Ball and Stem: 316 stainless steel
- Equipped with a manual handle for emergency override
- Valves are pressure rated at 70°F
- Full Port Valves for maximum flow
- Threads are FNPT

Actuator Specifications:

- Waterproof actuator housing is rated NEMA 6P to protect internal components from corrosion and extend actuator life
- Ignition safe actuator housing is rated NEMA 7D and meets the USCG Electrical Systems Standard to support user and environment protection
- 12V DC motor
- Actuator AC/DC adapter power supply and 6' wiring harness supplied with Part # RS400-11



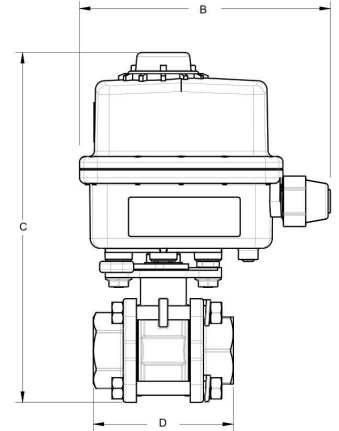
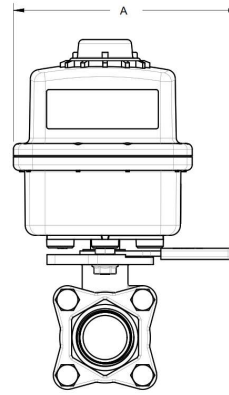
800.246.LEAK (5325)
info@pipeburstpro.com



WaterValve Specification Sheet

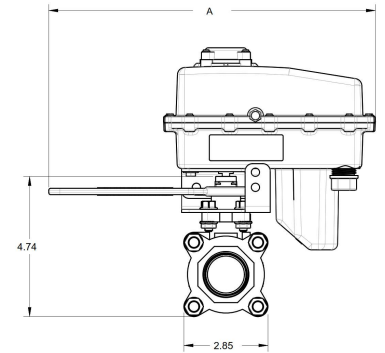
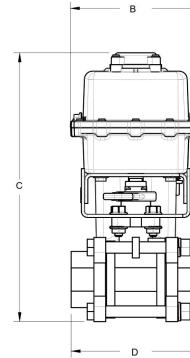
Part Number	Size (Inch)	Cycle Time off	Pressure Rating	**Flow GPM	A	B	C	D
WVEZ3-T	3/4	0.8 sec.	600	36	6"	5.6"	7.6"	1.6"
WVFS3-T	1	0.8 sec.	600	68	5.0"	5.6"	7.8"	3.1"

**GPM at 1 PSI drop, water



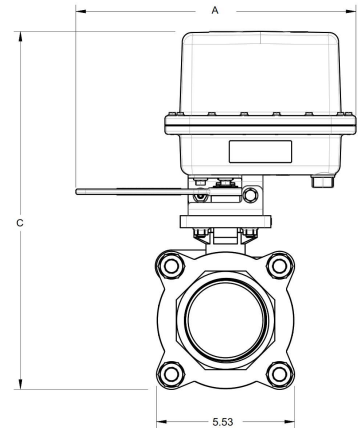
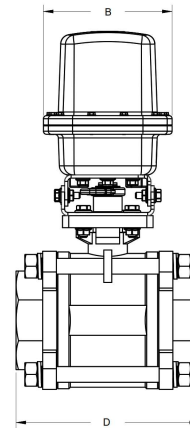
Part Number	Size (Inch)	Cycle Time off	Pressure Rating	**Flow GPM	A	B	C	D
WVGS2-T	1 ¼	3.0 sec.	1,000	112	11"	4.4"	9.1"	4.4"
WVHS2-T	1 ½	3.0 sec.	1,000	170	11.1"	4.4"	9.6"	4.8"
WVIS2-T	2	3.0 sec.	1,000	376	11.1"	4.4"	10.2"	5.4"

**GPM at 1 PSI drop, water



Part Number	Size (Inch)	Cycle Time off	Pressure Rating	**Flow GPM	A	B	C	D
WVKS5-T	3	3.0 sec.	1,000	1,300	11.3"	5.2"	13.4"	7.4"

**GPM at 1 PSI drop, water



800.246.LEAK (5325)
info@pipeburstpro.com

